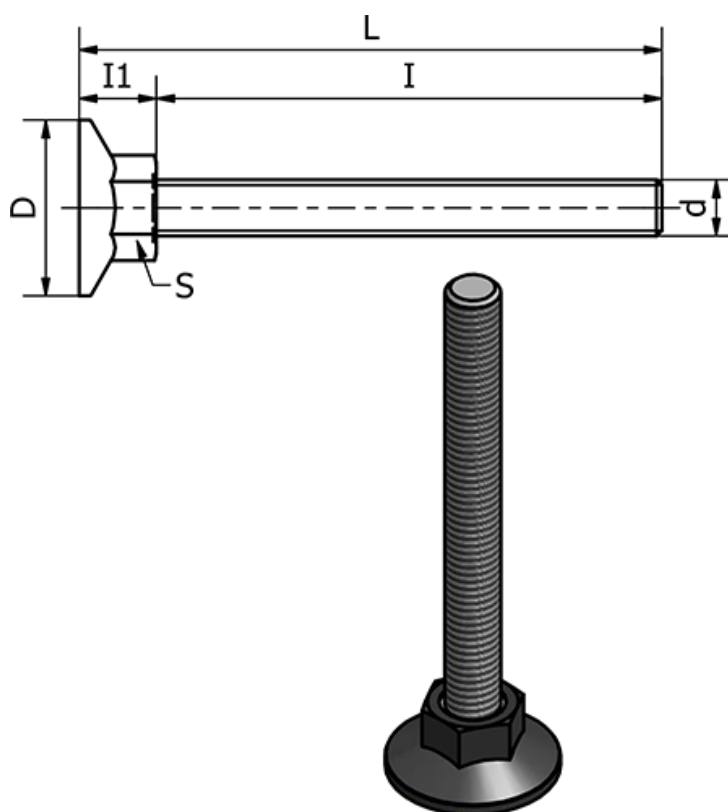


Article number: 2310431063  
Description: E+G Levelling elements  
LX.30-SW17-M8X51

## Measures



|                    |             |
|--------------------|-------------|
| d                  | = M8        |
| D                  | = 30        |
| I                  | = 51        |
| I1                 | = 12        |
| L                  | = 63        |
| S                  | = 17        |
| Static load in (N) | = 2500      |
| Type               | = Forzinket |

Weight (g) = -